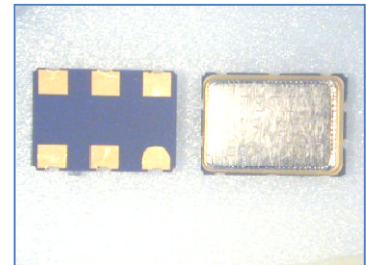


CMOS 7050 VCXO

VC700 Series

◆特長・用途/Feature

- ・SMD Package
- ・Supply Voltage **+5.0V, +3.3V**
- ・Output Level **CMOS**
- ・Frequency range **1.5MHz ~ 200MHz**

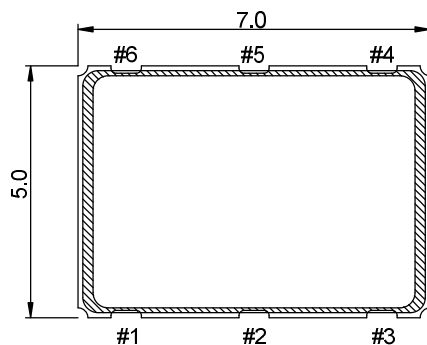


◆仕様/Specifications

RoHS Compliant

項目 / item	Min	Max	Min	Max	単位 / unit	Note
電源電圧 Power Supply voltage	+5.0		+3.3		V	--
出力周波数 Frequency range	1.5	50	1.5	200	MHz	--
絶対周波数可変範囲 (APR) Absolute Pulling Range	±50	--	±50	--	10 ⁻⁶	--
周波数安定度 Freq. Overall tolerance	±25, ±50		±25, ±50		10 ⁻⁶	-20~+70°C
	±50		±50		10 ⁻⁶	-40~+85°C

◆外形寸法/Dimensions unit : mm



PAD	FUNCTION
#1	Vc
#2	Tri-State
#3	GND
#4	Output
#5	NC
#6	VDD