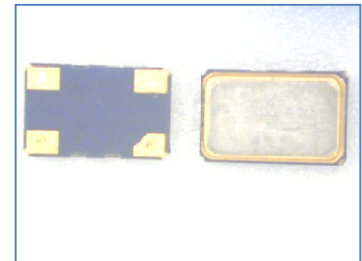


5032 TCXO / VC-TCXO

TC500 Series

◆特長・用途/Feature

- SMD Package
- Supply Voltage **+5.0V, +3.3V**
- Output Level **Clipped Sine Wave
CMOS**
- Frequency range **10MHz ~ 40MHz**

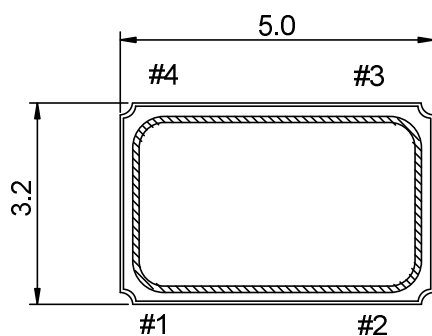


◆仕様/Specifications

RoHS Compliant

項目 / item	Min	Max	単位 / unit	Note
電源電圧 Power Supply voltage	+5.0, +3.3		V	--
出力周波数 Frequency range	10	40	MHz	--
周波数可変範囲 (VC-TCXO) Pulling Range	±5	--	10 ⁻⁶	--
周波数安定度 Freq. Overall tolerance	±0.14, ±0.28, ±0.37, ±0.5		10 ⁻⁶	-10~+60°C
	±0.14, ±0.28, ±0.37, ±0.5		10 ⁻⁶	-20~+70°C
	±0.28, ±0.37, ±0.5		10 ⁻⁶	-40~+85°C

◆外形寸法/Dimensions unit : mm



PAD	FUNCTION
#1	Vc : VC-TCXO GND/NC : TCXO
#2	GND
#3	Output
#4	VDD